

# How to build a Winter Cat Shelter

For a Feral Cat Colony



Instructions By



# Supplies Needed



- 30 gallon storage container with lid.
  - We used a 30 gallon Sterilite tote (30 1/2" x 20 1/4" x 16 5/8")
- Insulation sheet: 4x8 polystyrene 1 1/2" thick
  - can purchase at Home Depot. Should have silver backing.
- Duct Tape
  - Gorilla Tape is recommended
- Sharpie marker
- Straw (Not hay - it can get moldy when wet)
- Utility knife or Styrofoam cutter aka a Hot Knife
- Drill (optional)
- Measuring tape

# Instructions

## Step One:

Measure and trace your pieces for the enclosure on the the foam sheet. A template is provided on the next page. Make sure to trace on the non-silver side.

You should have 2 sides, 2 ends, a bottom and top piece. One piece of insulation can fit two templates for two enclosures.



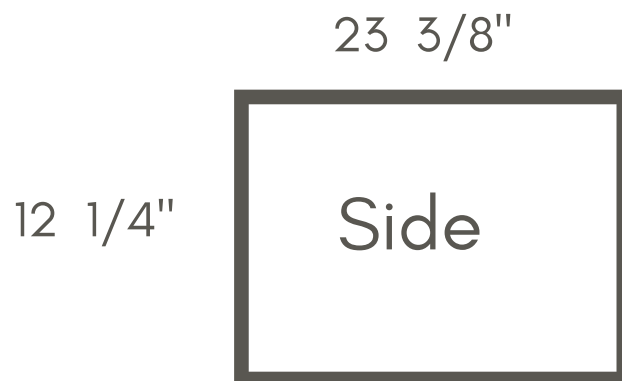
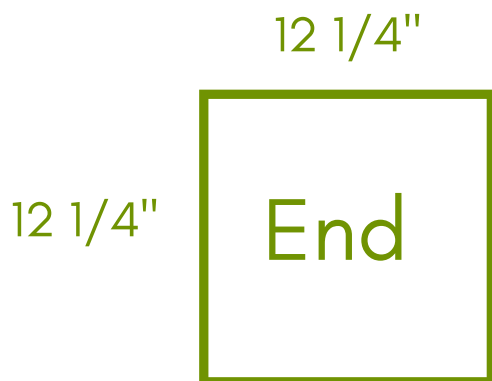
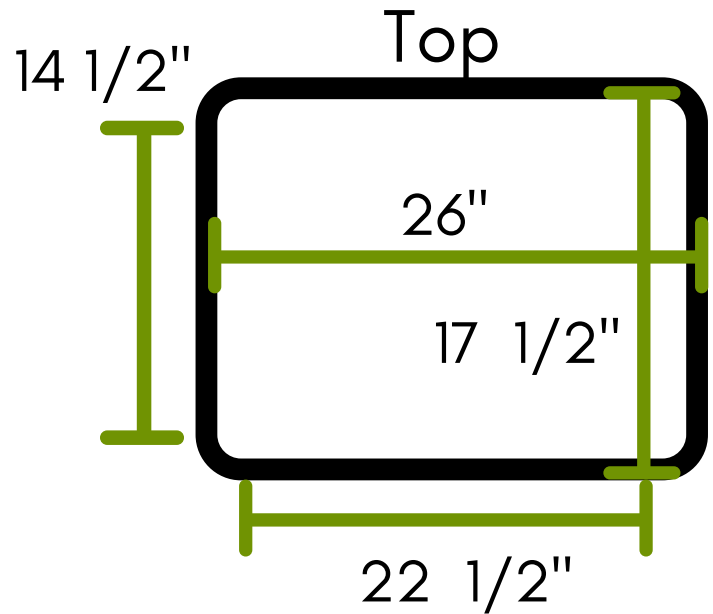
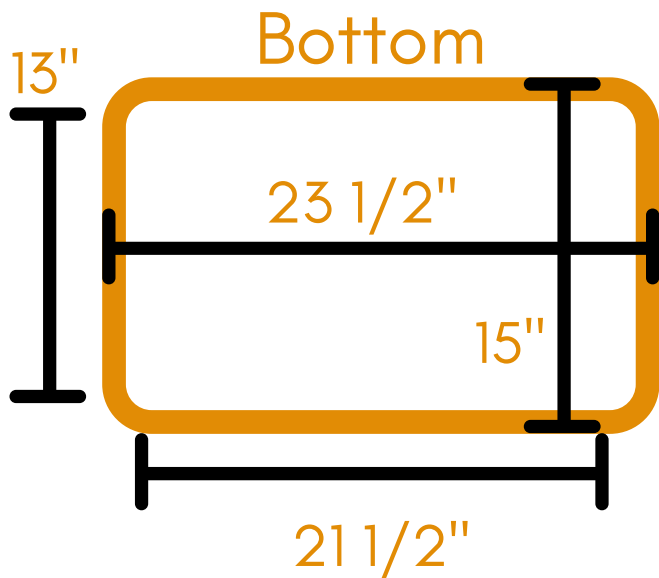
## Step Two:

Cut out your pieces using a utility knife or Styrofoam cutter aka a Hot Knife

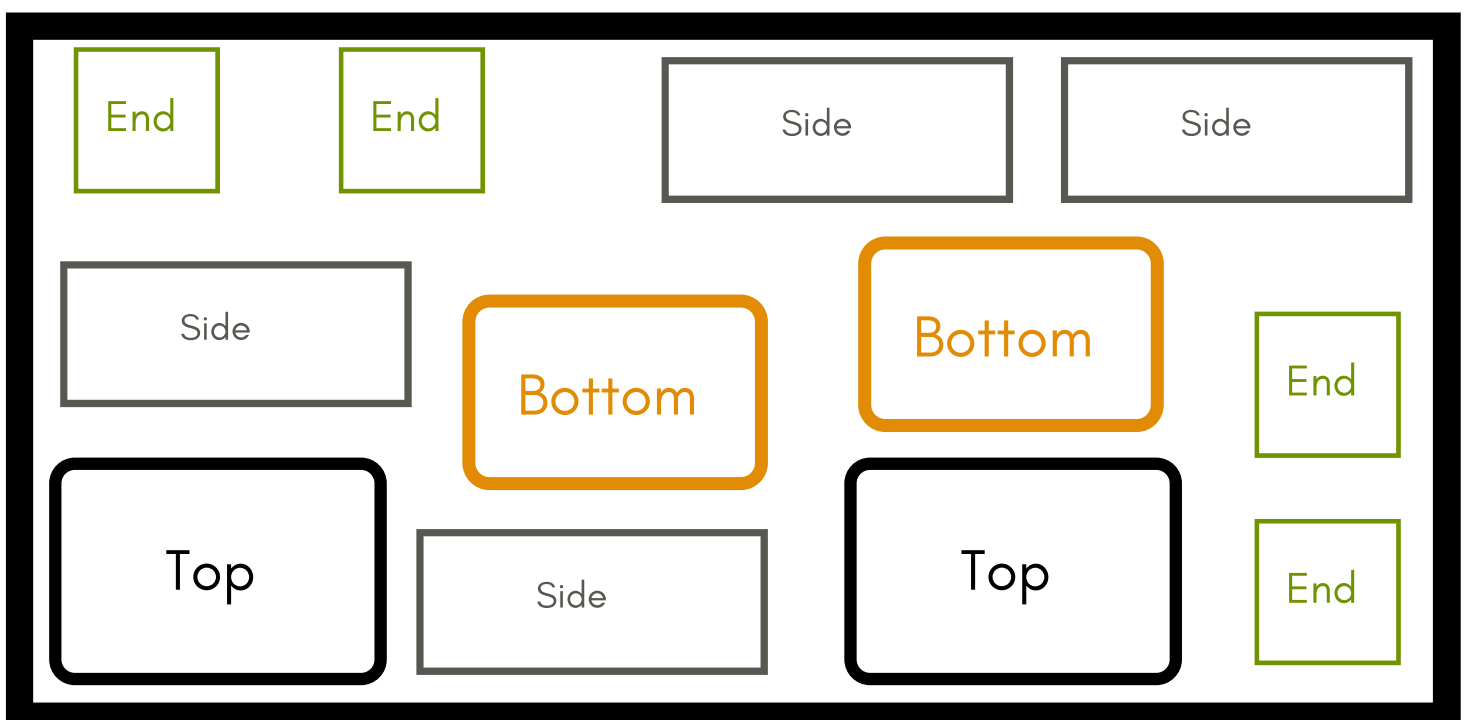
You will cut out the door in the next step.



# Template for pieces



Layout for two shelters on one piece of insulation



# Instructions

## Continued

### Step Three:

Measure and trace out the door on the tote. The door should be about 6 inches by 6 inches.

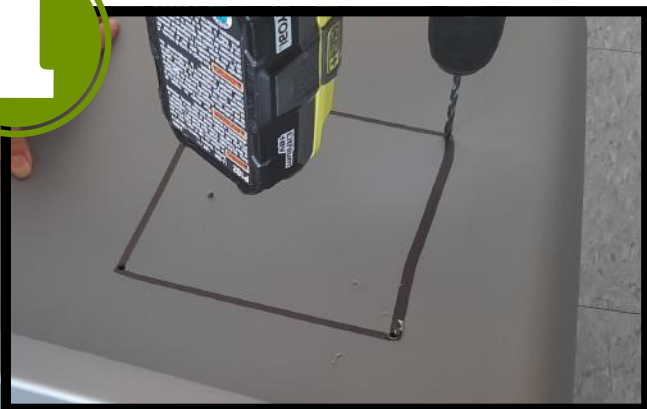
Cutting out the door in the storage container can be done with a drill and a utility knife or just a utility knife.

If you only have a utility knife available, take the knife and start at one of the corners of your stenciled door.

Poke your utility knife into the corner and drag it down cutting the door out of the stencil.

Restart at each corner until each side is complete and then push the door out.

If you have a drill available, you can make this task easier by taking your drill and drilling four holes in the corners. Then use your utility knife to cut the door by starting at each hole and dragging knife down to the next hole.

**1****2****3**

# Instructions

## Continued

### Step Four:

Take all of your pieces, and starting with the bottom piece, place them in the container. Make sure to have the silver side facing in.

You will not need the top piece yet.

If any of the pieces are not fitting you may need to take them out and trim to fit.



### Step Five:

Once all the pieces are in and snug, take your tape and cut a piece about 5 to 10 inches long and start taping up all the sides and bottom together.

Once that is done take your top piece and container lid and close the shelter. If the top does not fit you may need to trim some of the top edge from your side pieces.



# Instructions Continued

## Step Six:

Once the inside is all taped up, remove the insulation from the tote.

Take tape once again and tape all of the outside pieces together.

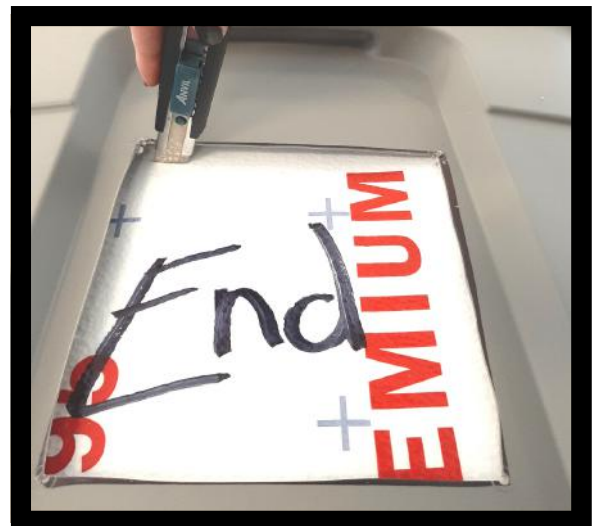
Then, place the insulation back into the container.



## Step Seven:

Now you will cut out the door from the insulation.

Use the door opening in the tote to trace the door in the insulation with the utility knife. Remove the cut insulation to reveal your door.



# Instructions Continued

## Step Eight:

Tape around the door opening using small pieces of duct tape. You want completely cover the gap between the container and the insulation.



## Step Nine:

Now take straw and place it inside the container and stuff it into any gaps between the container walls and insulation.

Place your top piece of insulation on top, then close the lid of your tote. You're done!



**Now place your enclosure  
outside for your ferals to  
enjoy!**



**Have more questions?  
Feel free to contact us.**

**844-336-2287  
denvercats.org**